

NOVA LUCE

PRODUCT DATASHEET

Version: 001

PRODUCT PHOTOGRAPH



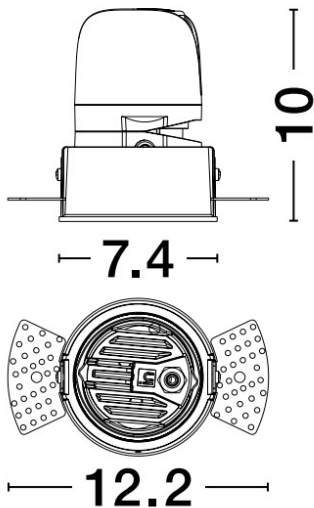
GENERAL INFORMATION

Product Code	9570011
Product Category	Downlights
Product Family	Homer
Mounting Location	Ceiling
Application Environment	Indoor

DIMENSION & WEIGHT

LxWxH (cm)	D: 7.4 H: 10
Cut out (cm)	7,5
Weight (Kgr)	N/A

TECHNICAL DRAWING



MATERIAL & COLOR

Product Color	Black
Body Material	Aluminium
Cover Material	N/A

APPLICATION & MOUNTING

Ambient Working Temp.	45 C
Type of Protection	IP20
Protection Class IK	IK03
Dimmable	Yes
Type of Dimming (Optional)	Triac/Dali
Mounting type	Trimless
Mounting Depth (cm)	Ceiling
Led Module Replaceable	No
Light Source	Led
Adjustable	No

COMPATIBLE WITH

— On/Off Driver: Included

— Triac Driver: 9844019

— Dali Driver: 9621523

NOVA LUCE S.A

Schimatari Viotias
32009, Greece

+30 22620 58 121
+30 22620 56 743

info@novaluce.com
www.novaluce.com



NOVA LUCE

PRODUCT DATASHEET

Version: 001

ELECTRICAL DATA

Power (Nominal)	15
Input voltage (Nominal)	220-240Vac
Mains Frequency	50/60Hz
Output voltage	40Vdc
Output Current	350mA
Power Factor	0,9
Efficiency	>73%
SVM	<0.4
Pst	<1
Class	II

PHOTOMETRICAL DATA

Luminous Flux	754
Luminous Efficacy	50.3
Color Temperature	3000
Light Color (Designation)	Warm White
CRI	>98
SDCM	<3
Beam Angle	24
UGR	<10

LIFESPAN

Lifetime	50000
----------	--------------

CERTIFICATES

Certificates	CE, UKCA
--------------	-----------------

WARRANTY

Warranty	5 Years
----------	----------------

LIGHT DISTRIBUTION

NOVA LUCE S.A

Schimatari Viotias
32009, Greece

+30 22620 58 121
+30 22620 56 743

info@novaluce.com
www.novaluce.com

