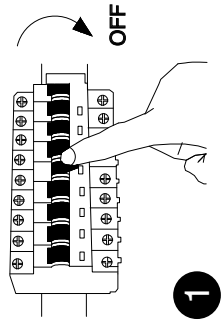
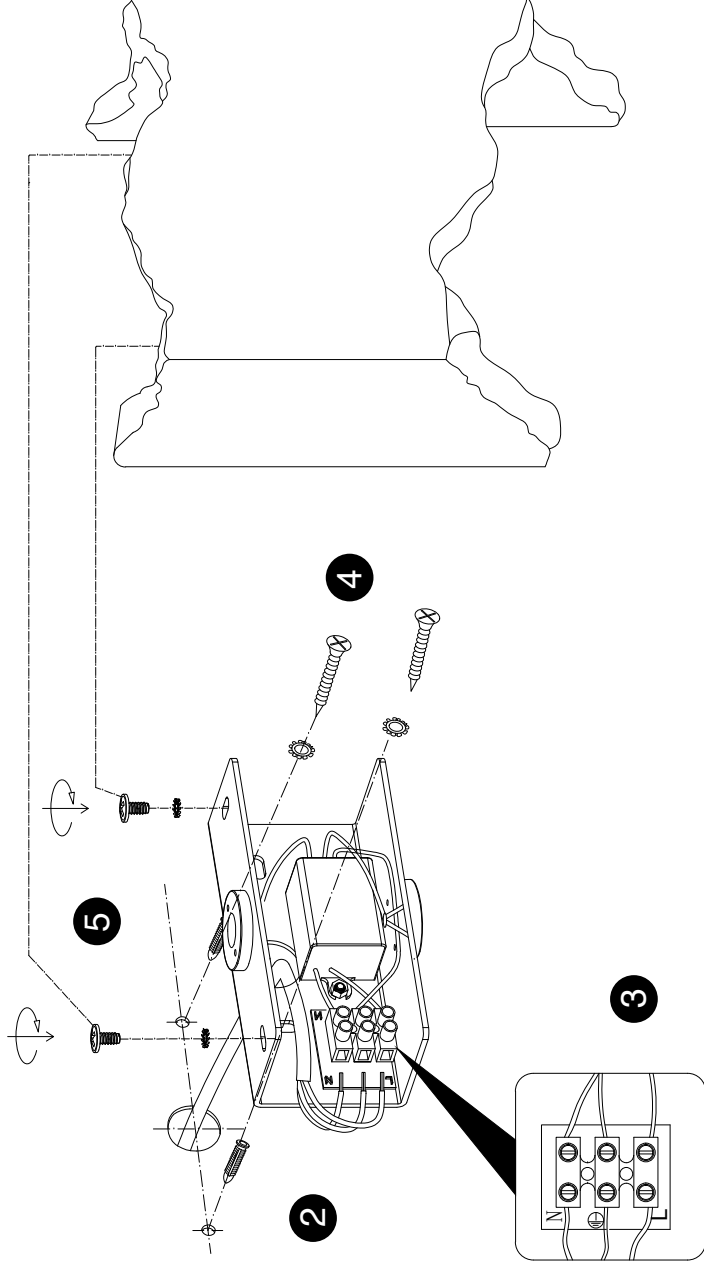


# NOVA LUCE

9540230



1



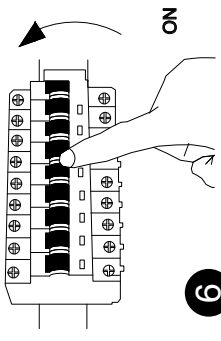
2

4

5

3

6



1. Turn off the general switch
2. Drill holes & apply plastic anchors
3. Connect the wires
4. Apply the screws
5. Apply the top screws
6. Turn on the general switch