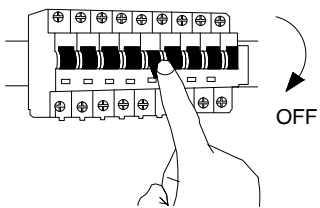
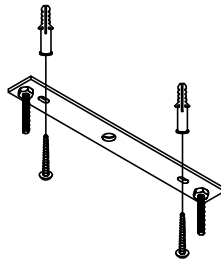


1



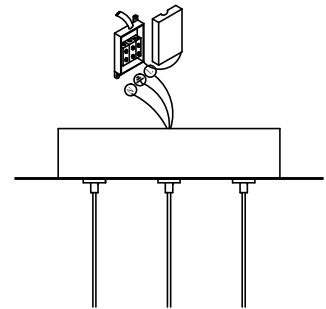
Turn off the general switch

2



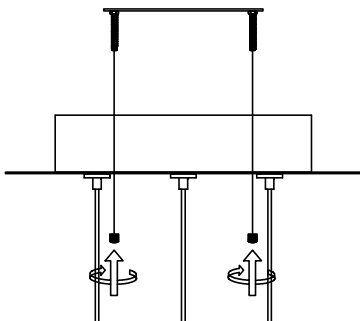
Mark, drill holes
Apply plastic anchors
& tie up the screws

3



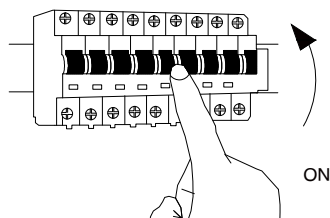
Connect the wires

4



Apply side screws to make it stable

5



Turn on the general switch

6

