

NOVA LUCE

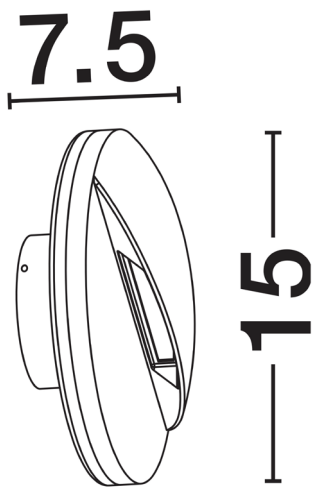
PRODUCT DATASHEET

Version: 001

PRODUCT PHOTOGRAPH



TECHNICAL DRAWING



GENERAL INFORMATION

Product Code	9030932
Collection	Outdoor
Product Category	Wall
Product Family	Pan
Mounting Location	Wall
Application Environment	Outdoor
Specifications	Antisalt Protection

DIMENSION & WEIGHT

LxWxH (cm)	D: 15 H: 7,5
Cut out (cm)	N/A
Weight (Kgr)	0.54

MATERIAL & COLOR

Product Color	Dark Anthracite
Body Material	Aluminium & Glass

APPLICATION & MOUNTING

Ambient Working Temp.	Max 45 oC
Type of Protection	IP54
Dimmable	No
Type of Dimming (Optional)	N/A
Mounting type	Surface
Mounting Depth (cm)	N/A
Led Module Replaceable	No
Light Source	LED

NOVA LUCE S.A

Schimatari Viotias
32009, Greece

+30 22620 58 121
+30 22620 56 743

info@novaluce.com
www.novaluce.com



NOVA LUCE

PRODUCT DATASHEET

Version: 001

ELECTRICAL DATA

Power (Nominal)	9W
Input voltage (Nominal)	220-240Vac
Mains Frequency	50/60Hz

PHOTOMETRICAL DATA

Luminous Flux	378 lm
Color Temperature	3000 K
Light Color (Designation)	Warm White

WARRANTY

Warranty	3 Years
----------	----------------

CERTIFICATES

Certificates	CE,UKCA
--------------	----------------

