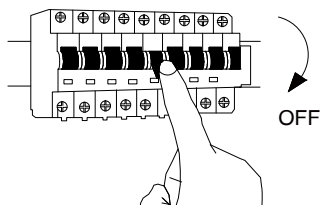


# NOVA LUCE

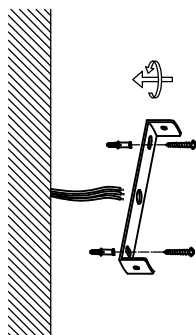
9206404

1



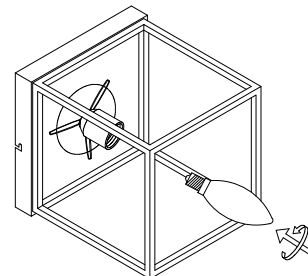
Turn off the general switch

2



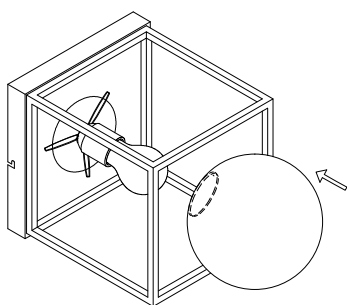
Drill holes  
& apply plastic anchors with screws

3



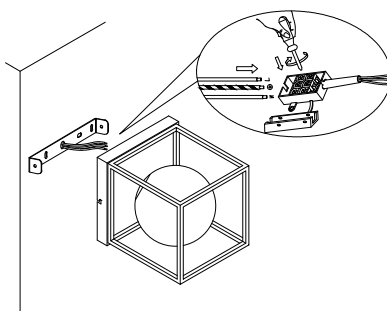
Insert the bulb by rotating

4



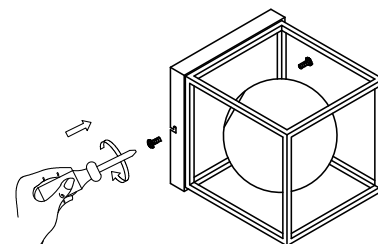
Apply the cap into place

5



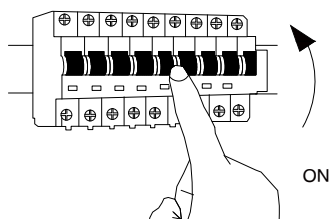
Connect wires

6



Apply side screws

7



Turn on the general switch

8

