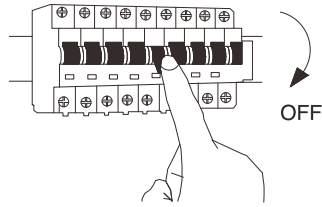


# NOVA LUCE

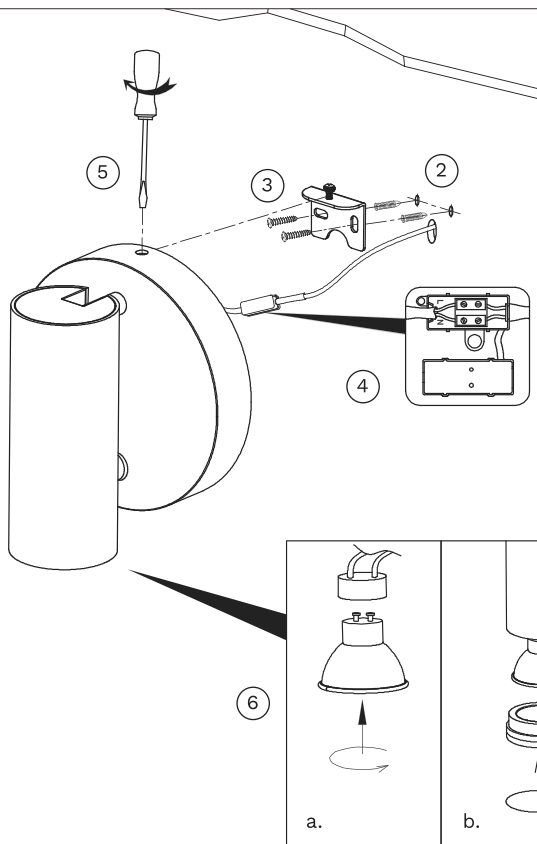
220-240V~50/60Hz LED GU10 1x10W

7410401

①

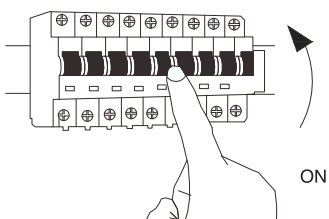


Turn off the general switch



- ② Mark & drill holes & apply plastic anchors
- ③ Apply screws
- ④ Connect wires
- ⑤ Apply top screw
- ⑥ a. Insert bulb by rotating  
b. Fix the cap into place

⑦



Turn on the general switch

