

# NOVA LUCE

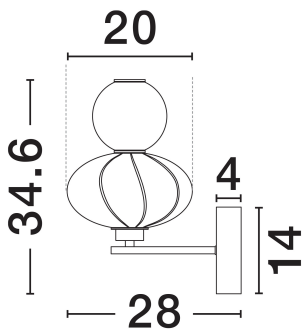
PRODUCT DATASHEET

Version: 001

## PRODUCT PHOTOGRAPH



## TECHNICAL DRAWING



## GENERAL INFORMATION

|                         |         |
|-------------------------|---------|
| Product Code            | 9009162 |
| Collection              | Indoor  |
| Product Category        | Wall    |
| Product Family          | Oneta   |
| Mounting Location       | Wall    |
| Application Environment | Indoor  |
| Specifications          | N/A     |

## DIMENSION & WEIGHT

|              |                     |
|--------------|---------------------|
| LxWxH (cm)   | D: 20 W: 28 H: 34.6 |
| Cut Out (cm) | N/A                 |
| Weight (Kgr) | 1.8                 |

## MATERIAL & COLOR

|               |                             |
|---------------|-----------------------------|
| Product Color | Sage Beige & Matt Black     |
| Body Material | Ceramic, Metal & Opal Glass |

## APPLICATION & MOUNTING

|                        |          |
|------------------------|----------|
| Ambient Working Temp.  | Max 45°C |
| Type of Protection     | IP20     |
| Dimmable               | Yes      |
| Type of Dimming        | Triac    |
| Mounting type          | Surface  |
| Mounting Depth (cm)    | N/A      |
| Led Module Replaceable | No       |
| Light Source           | LED      |

NOVA LUCE S.A

Schimatari Viotias  
32009, Greece

+30 22620 58 121  
+30 22620 56 743

info@novaluce.com  
www.novaluce.com



# NOVA LUCE

---

## PRODUCT DATASHEET

Version: 001

---

### ELECTRICAL DATA

|                         |                 |
|-------------------------|-----------------|
| Power (Nominal)         | <b>8W</b>       |
| Input voltage (Nominal) | <b>220-240V</b> |
| Mains Frequency         | <b>50/60Hz</b>  |

### PHOTOMETRICAL DATA

|                           |                   |
|---------------------------|-------------------|
| Luminous Flux             | <b>520lm</b>      |
| Color Temperature         | <b>3000K</b>      |
| Light Color (Designation) | <b>Warm White</b> |

### WARRANTY

|          |                |
|----------|----------------|
| Warranty | <b>3 Years</b> |
|----------|----------------|

### CERTIFICATES

|              |                |
|--------------|----------------|
| Certificates | <b>CE,UKCA</b> |
|--------------|----------------|

